

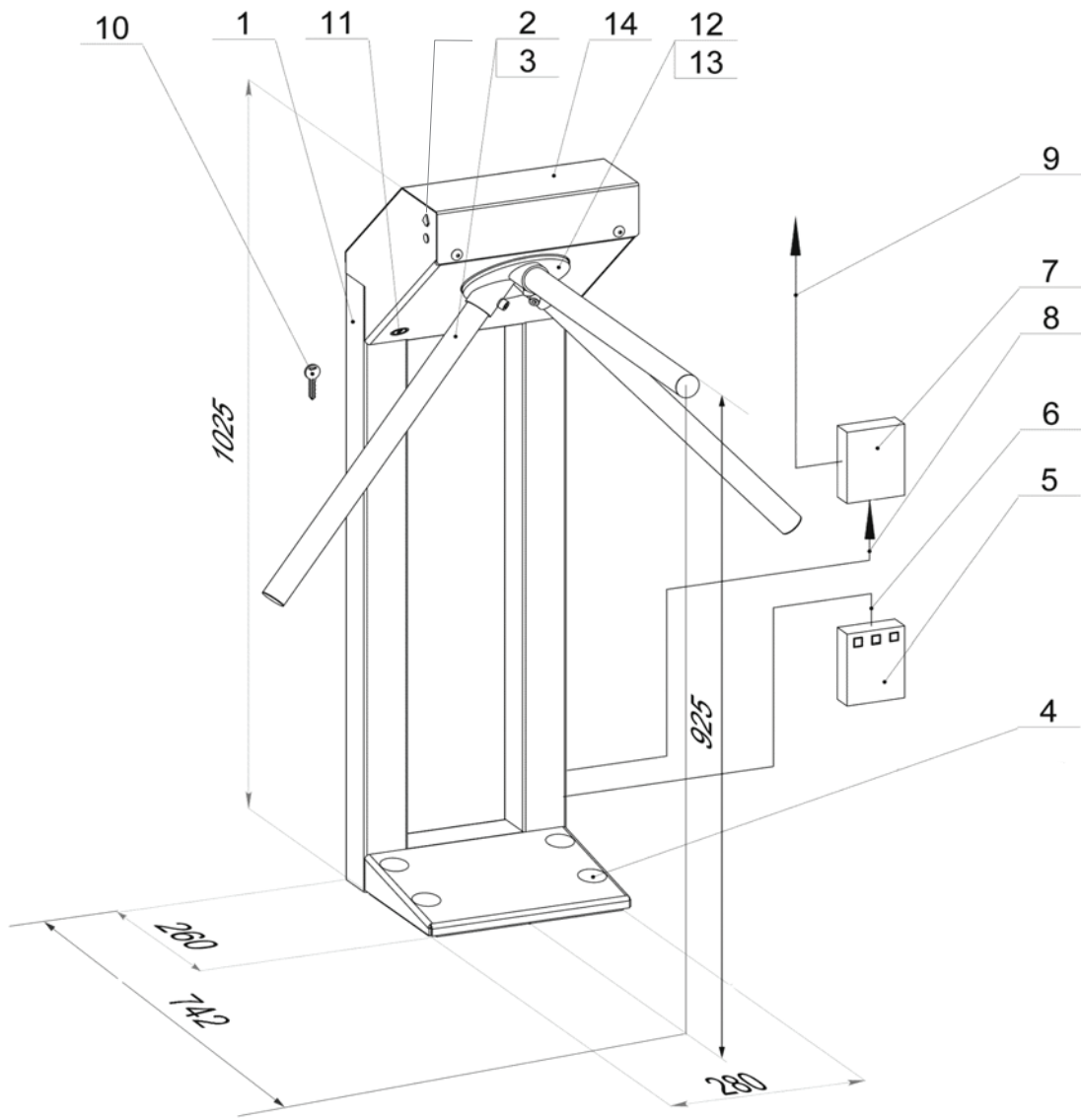


T-5

Electromechanical Tripod Turnstile

Assembly and Operation manual





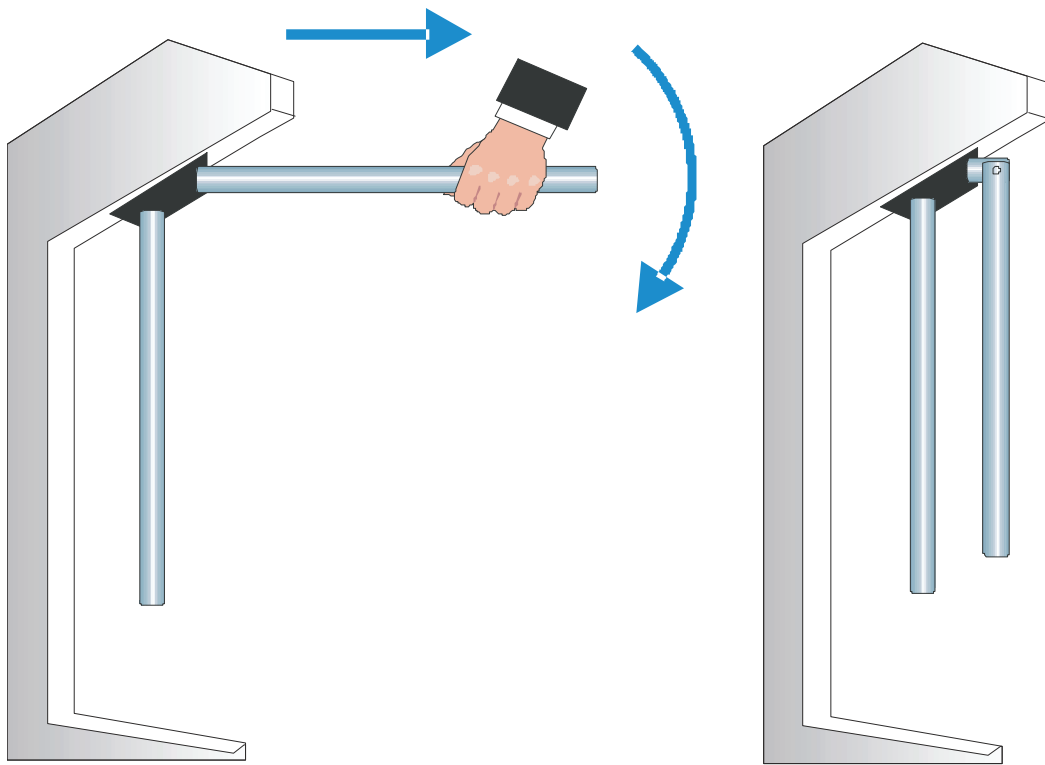


Fig. 10. Anti-panic folding arms



GestiGym Software

C/ Talleres N° 3
La Mojonera 04745
Almería (España)

Tel: 950 627 769

www.gestigym.com

info@gestigym.com