

# KIOSK

## Plastic Card Printer

*Solution for an industrial on-demand card printing*

# evolIS

[www.evolis.com](http://www.evolis.com)

## Specifications

<b>Print Method</b>	Color dye sublimation and monochrome thermal transfer Edge-to-edge printing as standard
<b>Printer specifications</b>	Integrated ribbon saver for monochrome printing
<b>Print Speed</b>	Up to 140 cards/hour in color (YMCKO), one side Up to 1000 cards/hour <sup>1</sup> in monochrome, one side
<b>Resolution</b>	300 dpi (11.8 dots/mm)
<b>Card Types</b>	All PVC, Composite, ABS <sup>2</sup> and special varnished <sup>2</sup> cards
<b>Card Format</b>	CR-80 (53.98mm x 85.60mm - 3.375" x 2.125")
<b>Card Thickness</b>	0.76 mm (30mil)
<b>Card Feeder Capacity</b>	1000 cards (0.76mm-30mil)
<b>Ribbon Types</b>	5 panel color ribbon (YMCKO): 1000 cards / roll 6 panel color ribbon (YMCKOK): 800 cards/roll Half-panel color ribbon (YMCKO): 400 cards/roll 2 panel monochrome ribbon (KO): 500 cards/roll Black monochrome ribbon: 5000 cards/roll Other monochrome ribbons available: 1000 cards/roll (available in black, red, blue, green, white, gold, silver and scratch off) Hologram ribbon: 350 cards/roll
<b>Printer Dimensions</b>	Height: 545mm Width: 486,95mm Depth: 262mm
<b>Printer Weight</b>	15kg (33lbs)
<b>Printer Interfaces</b>	USB & parallel Centronics (supplied cable)
<b>Indicators</b>	Power (LED) End of Ribbon (LED) No Card (LED) Cleaning Alert (LED)
<b>Power Supply</b>	100~240 Volts CA, 60~50 Hertz Class B, FCC, and CE approved
<b>Environmental</b>	Min / Max operating temperature: 15°C / 30°C Operating humidity: from 20% to 65% non-condensing Min / Max storage temperature: -5°C / +70°C Storage humidity: from 20% to 70% non-condensing Ventilation: free air
<b>Warranty</b>	Printer: 1 year Print Head: 1 year or 500 000 passes <sup>3</sup>
<b>Available Drivers</b>	For Windows NT 4.0, 2000 and Xp
<b>Printer Options</b>	Flip Over Module Card Feeder for thin cards (i.e. tickets) Dual HICO/LOCO Magnetic Stripe Encoder Smart Card Contact Station Contactless Smart Card Reader/Encoder – available upon study

## The modular card printer



**Easily integrated**

The only card printer on the market dedicated to all kiosk application with a complete autonomy of 1000 cards in color.

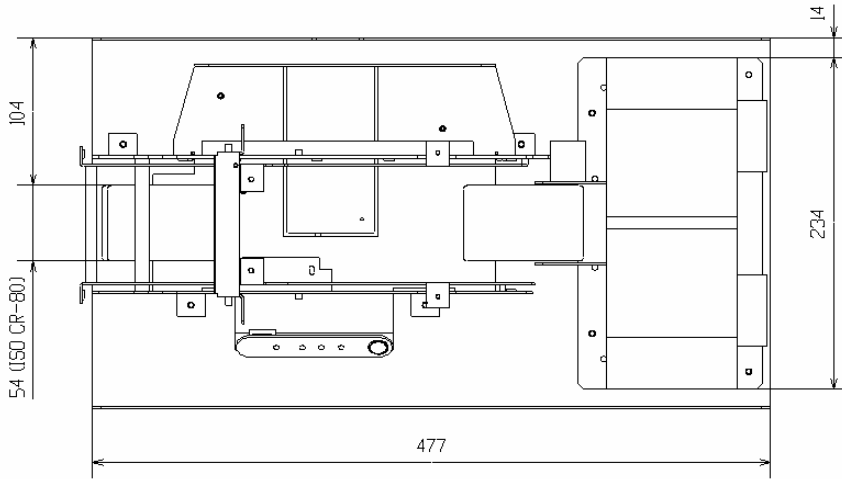
<sup>1</sup> Under specific conditions

<sup>2</sup> With the use of the BlackWAX monochrome ribbon

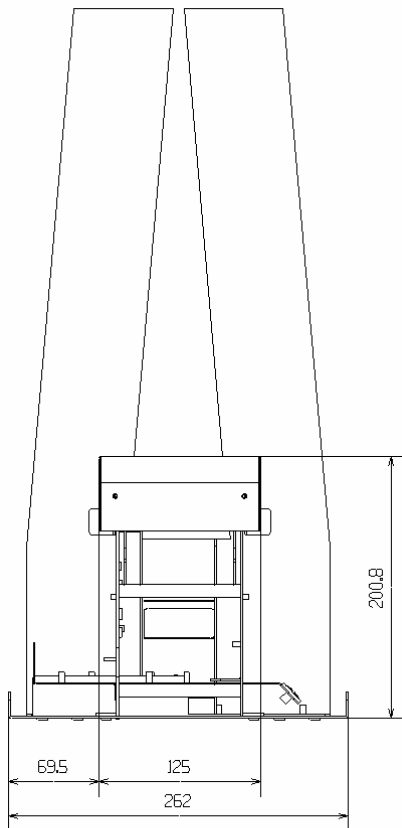
<sup>3</sup> Only on the condition of the use of Evolis ribbons

# Outline Dimensions

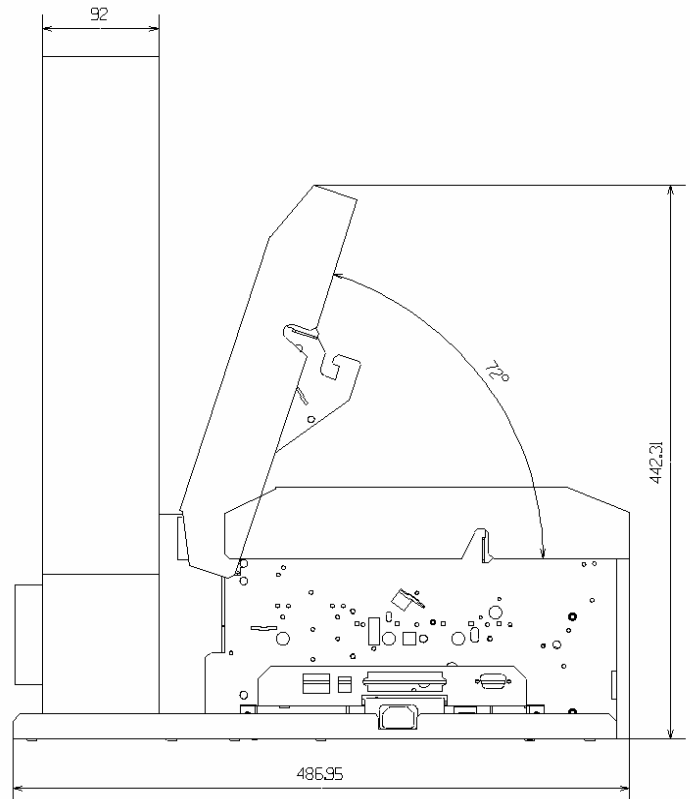
All the dimensions given on this page are in millimetres.



**Printer Module**  
Seen from above



**Card Feeder Module**  
Seen from back



**Printer Module**  
Opening Angle